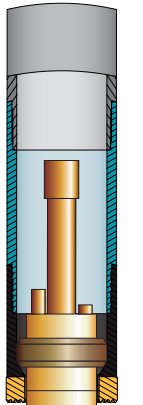




FORAGE DRILLING

Obturateurs carottage câble Wireline Packers

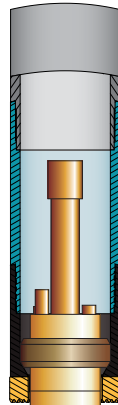
B/N/H/P



L = 500 ou/ou 1000 mm

Simple obturateur
Single Packer

B/N/H/P



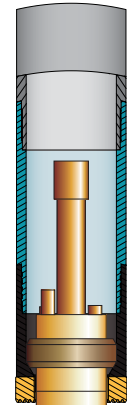
L = 500 ou/ou 1000 mm

TP = 500 ou/ou 1000 mm

L = 500 ou/ou 1000 mm

Double obturateur, injection centrale
Double Packer, Central Injection

B/N/H/P



L = 500 ou/ou 1000 mm

L = 500 ou/ou 1000 mm

Double obturateur
Double Packer



Forage destructif pour l'injection

Non-coring equipment for grouting applications

FORAGE DRILLING



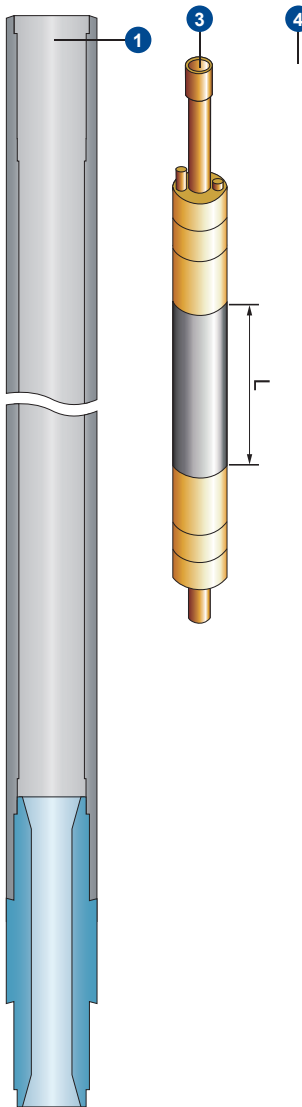
TROU Ø 46 MM / BOREHOLE Ø 46 MM Autres diamètres sur demande / Other diameters on request

1	Tiges / Drill Rods CR 42 - long 3.00 m	Fem x Fem / Box x Box	RODC042RH300MBB	+	Mâle x Mâle / Pin x Pin	ROD0C42RHCPGLG
	Tiges / Drill Rods CR 42 - long 1.50 m		RODC042RH150MBB		ROD0C42RHCPGLG	
	Tiges / Drill Rods CR 42 - long 1.00 m		RODC042RH100MBB		ROD0C42RHCPGLG	
	Tiges / Drill Rods CR 42 - long 0.50 m		RODC042RH050MBB		ROD0C42RHCPGLG	

2	Outil Imprégné / Impregnated Bit	Tornado 4	TIMP046T040C42B
	Outil Imprégné / Impregnated Bit	Tornado 6	TIMP046T060C42B
	Outil Serti / Surface Set Bit	HD-10 12/20 spc	TH10046S150C42B
	Outil Serti / Surface Set Bit	HD-10 30/40 spc	TH10046S350C42B
	Outil TSD / TSD Bit -	HT-40	TH40046MS00C42B
	Outil PDC / PDC Bit -	V-13	TV13046MP00C42B
	Outil PDC / PDC Bit -	V-8	TV08046MP00C42B
	Outil carbure / TCI bit		TTCI046CPT0C42B

3	Obturbateur simple / Single Packer		
	Bimbar 1R42	L500	PACKERS244312
	Bimbar 1R42	L1000	PACKERS244313
	Bimbar 11R42	L500	PACKERS244412
Bimbar 11R42	L1000	PACKERS244413	

4	Obturbateur double / Double Packer			
	Bimbar 1R42	L500	TP 500	PACKERS244322
	Bimbar 1R42	L500	TP 1000	PACKERS244332
	Bimbar 1R42	L1000	TP 1000	PACKERS244333
	Bimbar 11R42	L500	TP 500	PACKERS244422
	Bimbar 11R42	L500	TP 1000	PACKERS244432
	Bimbar 11R42	L1000	TP 1000	PACKERS244433

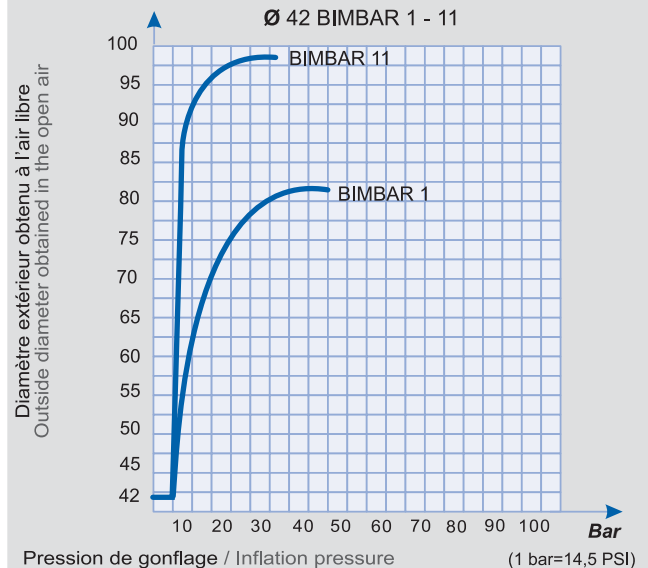


Pression de gonflage Trou 46 mm
Inflation pressure 46 mm borehole

130
Bar Maxi

Pour plus d'informations, reportez-vous à la section des obturbateurs
For more information go to the Packers section

Diagramme de dilatation / Inflation curves



Impregné
Impregnated

Serti
Surface set

MaxSet
TSD

MaxPax
PDC

Carbure
TCI





CAROTTAGE ET FORAGE DIAMANTÉ

DIAMOND CORING AND DRILLING

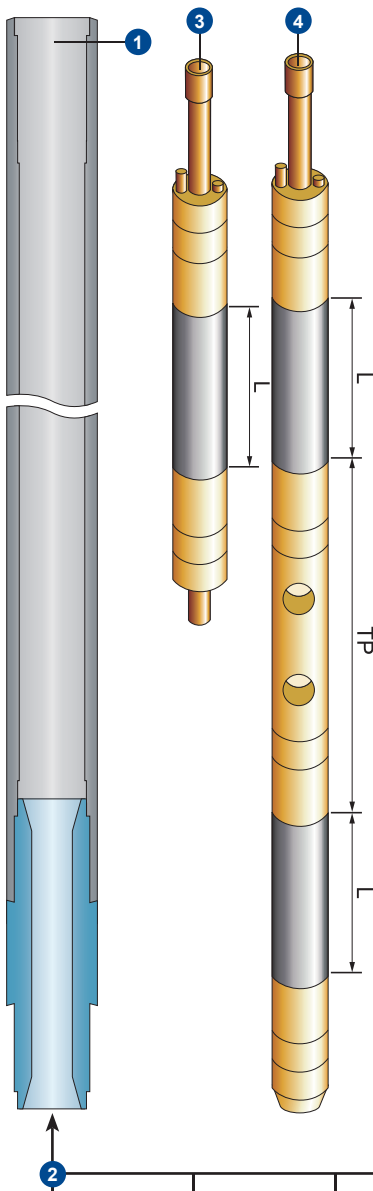
FORAGE DRILLING

Forage destructif pour l'injection Non-coring equipment for grouting applications



TROU Ø 56 MM / BOREHOLE Ø 56 MM Autres diamètres sur demande / Other diameters on request

1	Tiges / Drill Rods CR 42 - long 3.00 m	Fem x Fem / Box x Box	RODC042RH300MBB	Mâle x Mâle / Pin x Pin	ROD0C42RHCPGLG
	Tiges / Drill Rods CR 42 - long 1.50 m		RODC042RH150MBB		ROD0C42RHCPGLG
	Tiges / Drill Rods CR 42 - long 1.00 m		RODC042RH100MBB		ROD0C42RHCPGLG
	Tiges / Drill Rods CR 42 - long 0.50 m		RODC042RH050MBB		ROD0C42RHCPGLG
2	Outil Imprégné / Impregnated Bit	Tornado 4	TIMP056T040C50B		
	Outil Imprégné / Impregnated Bit	Tornado 6	TIMP056T060C50B		
	Outil Serti / Surface Set Bit	HD-10 12/20 spc	TH10056S150C50B		
	Outil Serti / Surface Set Bit	HD-10 30/40 spc	TH10056S350C50B		
	Outil TSD / TSD Bit -	HT-40	TH40056MS00C50B		
	Outil PDC / PDC Bit -	V-13	TV13056MP00C50B		
	Outil PDC / PDC Bit -	V-8	TV08056MP00C50B		
	Outil carbure / TCI bit		TTCI056CPT0C50B		
3	Obturateur simple / Single Packer				
	Bimbar 1R42 L500				PACKERS244312
	Bimbar 1R42 L1000				PACKERS244313
	Bimbar 11R42 L500				PACKERS244412
	Bimbar 11R42 L1000				PACKERS244413
4	Obturateur double / Double Packer				
	Bimbar 1R42 L500 TP 500				PACKERS244322
	Bimbar 1R42 L500 TP 1000				PACKERS244332
	Bimbar 1R42 L1000 TP 1000				PACKERS244333
	Bimbar 11R42 L500 TP 500				PACKERS244422
	Bimbar 11R42 L500 TP 1000				PACKERS244432
	Bimbar 11R42 L1000 TP 1000				PACKERS244433
	Bimbar 11R42 L1000 TP 1000				PACKERS244433

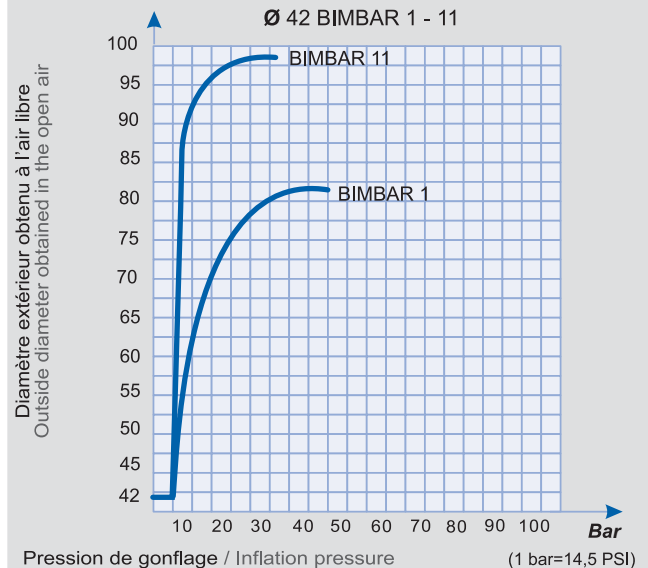


Pression de gonflage Trou 56 mm
Inflation pressure 56 mm borehole

70
Bar Maxi

Pour plus d'informations, reportez-vous à la section des obturateurs
For more information go to the Packers section

Diagramme de dilatation / Inflation curves



Impregné
Impregnated

Serti
Surface set

MaxSet
TSD

MaxPax
PDC

Carbure
TCI





Forage destructif pour l'injection

Non-coring equipment for grouting applications

FORAGE DRILLING



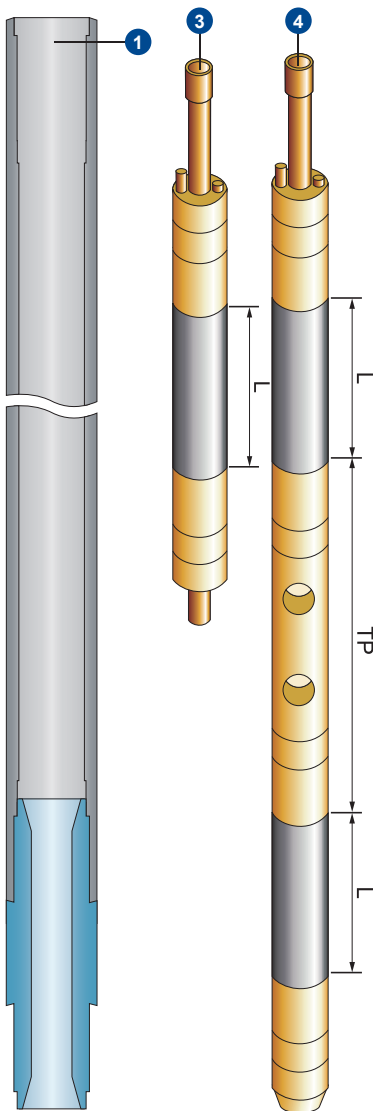
TROU Ø 60 MM / BOREHOLE Ø 60 MM Autres diamètres sur demande / Other diameters on request

1	Tiges / Drill Rods CR 42 - long 3.00 m	Fem x Fem / Box x Box	RODC050RH300MBB	+	Mâle x Mâle / Pin x Pin	ROD0C50RHCPGLG
	Tiges / Drill Rods CR 42 - long 1.50 m		RODC050RH150MBB		ROD0C50RHCPGLG	
	Tiges / Drill Rods CR 42 - long 1.00 m		RODC050RH100MBB		ROD0C50RHCPGLG	
	Tiges / Drill Rods CR 42 - long 0.50 m		RODC050RH050MBB		ROD0C50RHCPGLG	

2	Outil Imprégné / Impregnated Bit	Tornado 4	TIMP060T040C50B
	Outil Imprégné / Impregnated Bit	Tornado 6	TIMP060T060C50B
	Outil Serti / Surface Set Bit	HD-10 12/20 spc	TH10060S150C50B
	Outil Serti / Surface Set Bit	HD-10 30/40 spc	TH10060S350C50B
	Outil TSD / TSD Bit -	HT-40	TH40060MS00C50B
	Outil PDC / PDC Bit -	V-13	TV13060MP00C50B
	Outil PDC / PDC Bit - Outil carbure / TCI bit	V-8	TV08060MP00C50B TTCI060CPT0C50B

3	Obturbateur simple / Single Packer		
	Bimbar 1R42	L500	PACKERS244312
	Bimbar 1R42	L1000	PACKERS244313
	Bimbar 11R42	L500	PACKERS244412
Bimbar 11R42	L1000	PACKERS244413	

4	Obturbateur double / Double Packer			
	Bimbar 1R42	L500	TP 500	PACKERS244322
	Bimbar 1R42	L500	TP 1000	PACKERS244332
	Bimbar 1R42	L1000	TP 1000	PACKERS244333
	Bimbar 11R42	L500	TP 500	PACKERS244422
	Bimbar 11R42	L500	TP 1000	PACKERS244432
	Bimbar 11R42	L500	TP 1000	PACKERS244433
	Bimbar 11R42	L1000	TP 1000	PACKERS244433



Pression de gonflage Trou 60 mm **70**
Inflation pressure 60 mm borehole **Bar Maxi**

Pour plus d'informations, reportez-vous à la section des obturbateurs
For more information go to the Packers section

Diagramme de dilatation / Inflation curves

